



**Coffee System**  
**Coffee Grinder with Hopper, 0,7 kg,**  
**black with medium duty grinder and UK**  
**plug**

ITEM # \_\_\_\_\_

MODEL # \_\_\_\_\_

NAME # \_\_\_\_\_

SIS # \_\_\_\_\_

AIA # \_\_\_\_\_



600789 (E810UK)

\* NOT TRANSLATED \*

### Main Features

- Easy-to-Follow instructions.
- Available in black finish.
- Automatic Shut-off.
- Ideal for low to medium volume specialty shops, grocery and convenience stores.
- Espresso to percolator grind selection.
- Grind types: Espresso, Fine, Auto Drip, Drip, Percolator.
- How to Operate:-1. Turn the selector knob to the desired grind setting.-2. Fill the hopper with the desired type and amount of whole bean coffee. Close the lid.-3. Place the bag underneath the spout.-4. Press the grinder switch to the ON position.-5. Once coffee is ground, press the grinder switch to the off position or grinder will continuously run.-6. Remove bag from coffee spout once coffee is ground.

### Construction

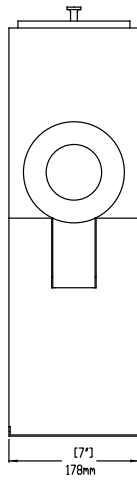
- Compact dimensions for table top configuration.
- Powerful motor with circuit breaker.
- Manual On/Off switch.
- Space saving design - 18cm wide.

APPROVAL: \_\_\_\_\_

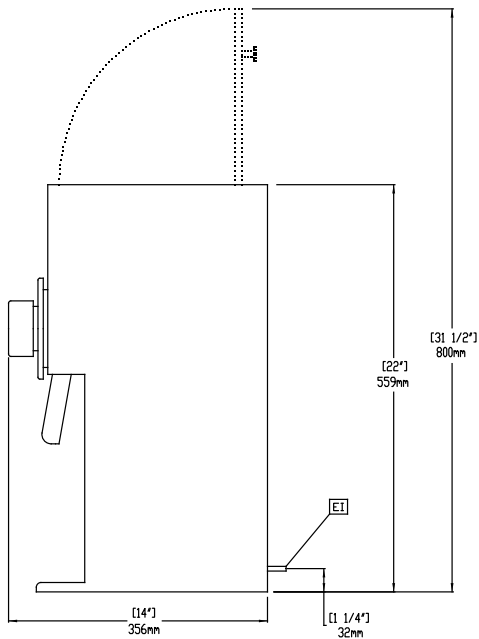


Experience the Excellence  
[www.electroluxprofessional.com](http://www.electroluxprofessional.com)

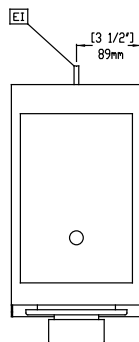
Front



Side



Top


**Electric**

Supply voltage:

600789 (E810UK)

230 V/1N ph/50/60 Hz

Electrical power max.:

0.8 kW

**Key Information:**

External dimensions, Width:	178 mm
External dimensions, Depth:	356 mm
External dimensions, Height:	559 mm
Net weight:	17 kg
Shipping weight:	23 kg
Shipping height:	680 mm
Shipping width:	490 mm
Shipping depth:	270 mm
Shipping volume:	0.09 m <sup>3</sup>